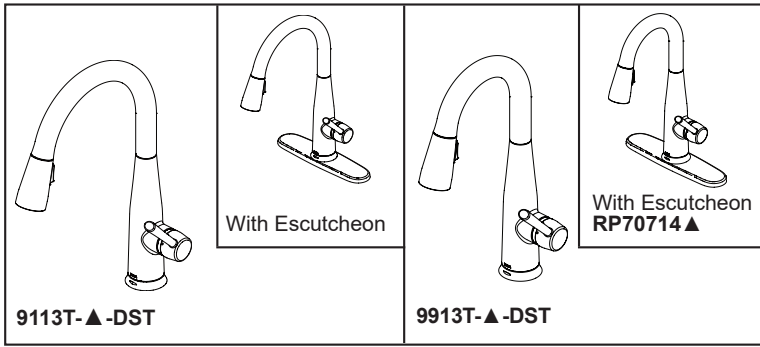




see what Delta can do<sup>SM</sup>

# KITCHEN FAUCETS

- Essa<sup>®</sup> Collection
- Single Handle Pull-Down



## FEATURES:

- Touch<sub>2</sub>O<sup>®</sup> Technology
- DIAMOND Seal<sup>®</sup> Technology
- MagnaTite<sup>®</sup> Magnetic Docking
- Touch-Clean<sup>®</sup> Spray Holes

## STANDARD SPECIFICATIONS:

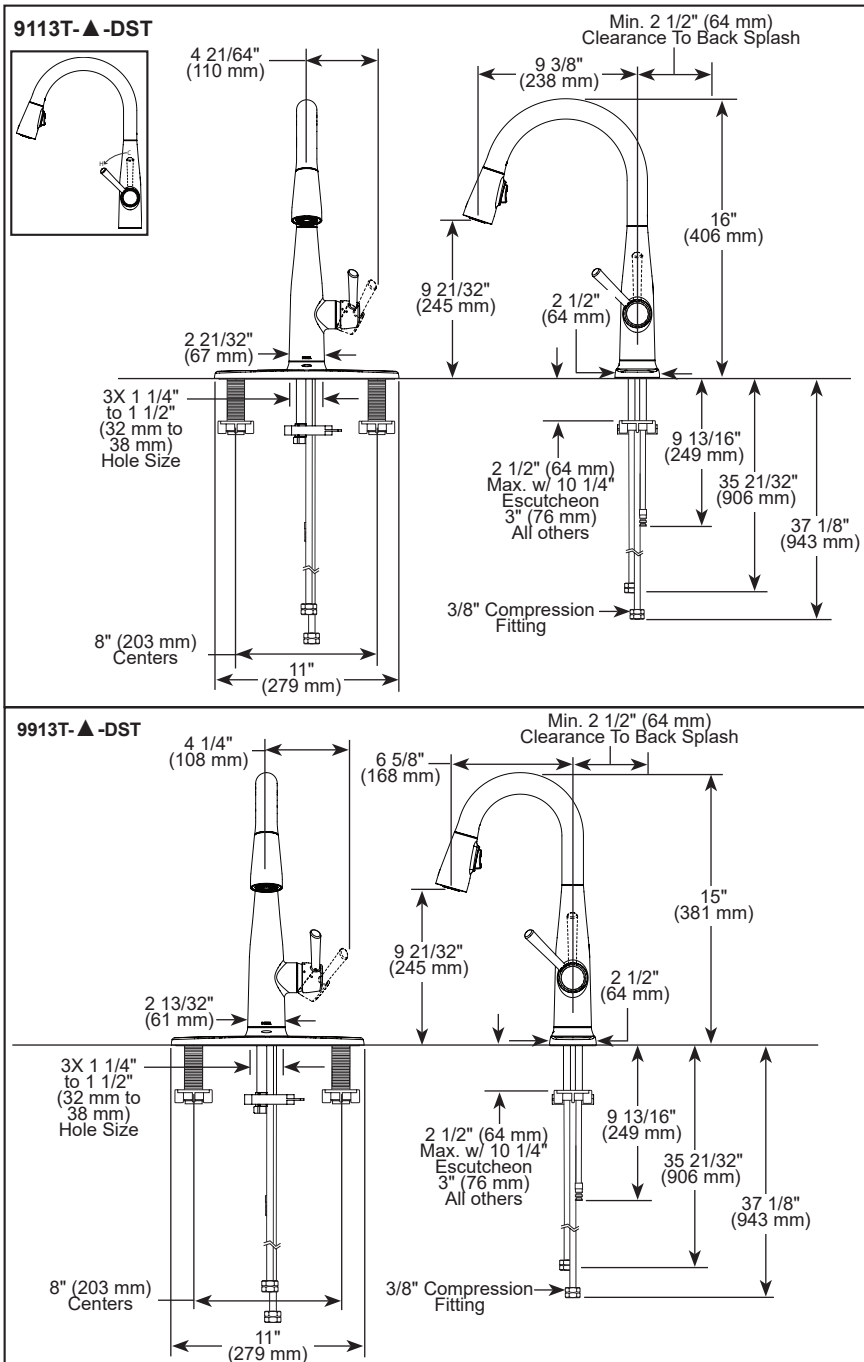
- Max flow rate 1.8 gpm @ 60 psi, 6.8 L/min @ 414 kPa
- One or three hole mount (Escutcheon included with kitchen models. For prep models, order separately)
- Diamond coated ceramic cartridge
- 3/8" O.D. straight, staggered PEX supply lines
- Spout rotates 360°
- Red/blue indicator markings
- Two-function wand; Aerated stream or spray
- Dual integral check valves in sprayer
- LED indicator light signals on-off, water temperature and low batteries
- Uses 6 AA (included) or 6 C (not included) batteries
- RP102157 Optional 120V AC adapter available (3 prong grounded outlet required)

## WARRANTY

- Parts and Finish - Lifetime limited warranty; or for commercial purchasers, 10 years for multi-family residential (apartments and condominiums) and 5 years for all other commercial uses, in each case from the date the product is received by the original purchaser or their authorized representative (installation contractor, etc.).
- Electronic Parts and Batteries (if applicable) - 5 years from the date the product is received by the original purchaser or their authorized representative (installation contractor, etc.); or for commercial purchasers, 1 year from the date the product is received by the original purchaser or their authorized representative (installation contractor, etc.). No warranty is provided on batteries.
- Please go to [www.deltafaucet.com](http://www.deltafaucet.com) for the complete details of our limited warranty.

## COMPLIES WITH:

- ASME A112.18.1 / CSA B125.1
- NSF/ANSI/CAN 61 & 372
- ICC/ANSI A117.1 - Valve control only

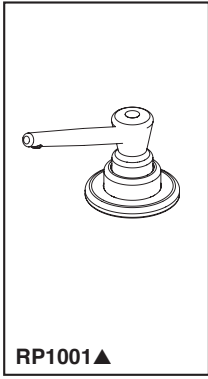


▲ Designate proper finish suffix

Delta Faucet Company reserves the right (1) to make changes in specifications and materials, and (2) to change or discontinue models, both without notice or obligation. Dimensions are for reference only. See current full-line price book or [www.deltafaucet.com](http://www.deltafaucet.com) for finish options and product availability.

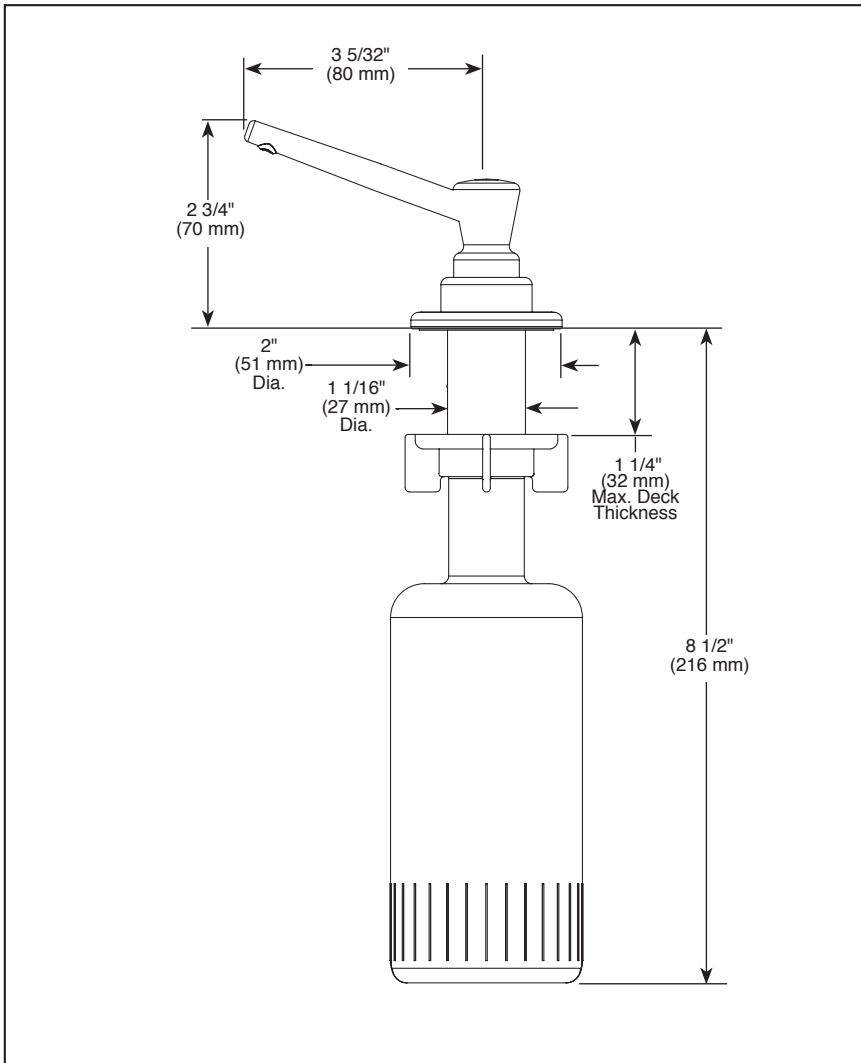
DSP-K-9113T-DST Rev. C

**Delta Faucet Company**  
 55 E. 111th Street, Carmel, IN 46280  
 350 South Edgeware Road, St. Thomas, ON N5P 4L1  
 © 2025 Delta Faucet Company



Submitted Model No.: \_\_\_\_\_

Specific Features: \_\_\_\_\_



▲ Designate Proper Finish Suffix



# SOAP DISPENSER

## STANDARD SPECIFICATIONS:

- 10 ounce bottle.
- Refillable from above the deck.
- 1 1/4" max. deck thickness.
- Order RP31845, for extended mounting nut. Allows for 2 1/2" max. deck thickness.
- Includes RP30395 refill funnel.
- Mounts in standard hole sizes 1 1/4" - 1 1/2".

## WARRANTY

- Lifetime limited warranty on parts (other than electronic parts and batteries) and finishes: or, for commercial users, for 5 years from date of purchase.
- 5 year limited warranty on electronic parts (other than batteries); or, for commercial users, for 1 year from the date of purchase. No warranty is provided on batteries.

Delta reserves the right (1) to make changes in specifications and materials, and (2) to change or discontinue models, both without notice or obligation. Dimensions are for reference only. See current full-line price book or [www.deltafaucet.com](http://www.deltafaucet.com) for finish options and product availability.

